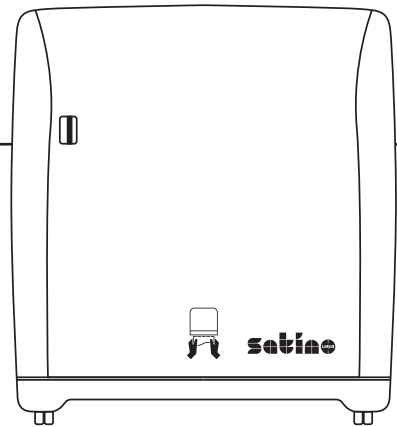


Easy. Clean. Professional.

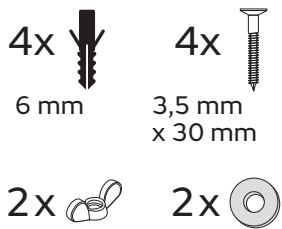
## SYS AutoCut Dispenser Midi

Item No.: **333210**

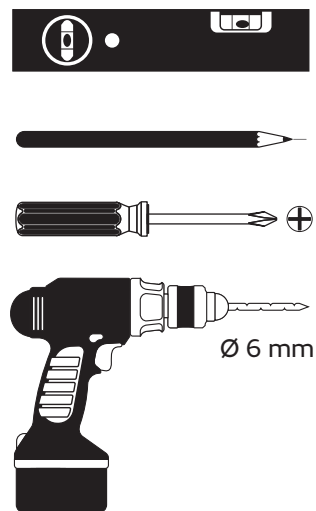
SYS AutoCut-Spender Midi  
 SYS AutoCut Handdoekroldispenser Midi  
 SYS Distributeur à découpe automatique Midi  
 SYS Dozownik AutoCut Midi



### Supplied



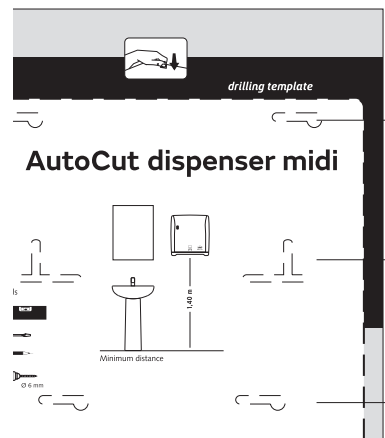
### Needed tools



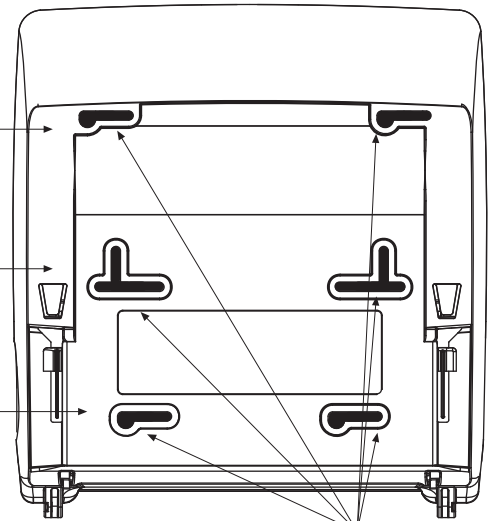
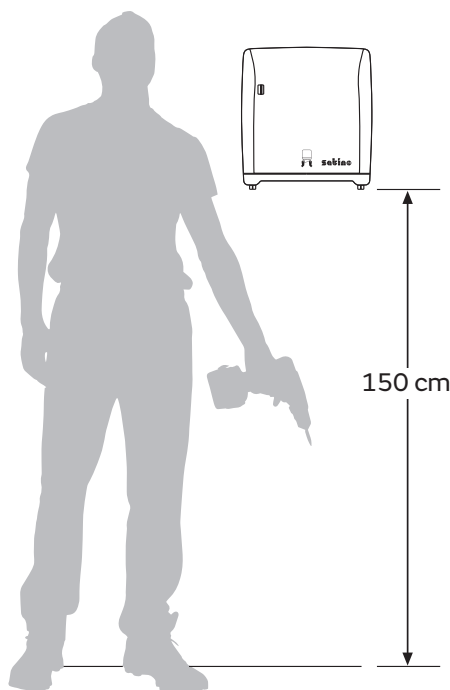
### Suitable for




### Mounting



### Preferred distance



1. Cut off the drilling template from the backside of the dispenser-box
2. Fix the template at preferred position

3.  mark by pen + drill holes

Easy. Clean. Professional.

## SYS AutoCut Dispenser Midi

Item No.: 333210

## Operation

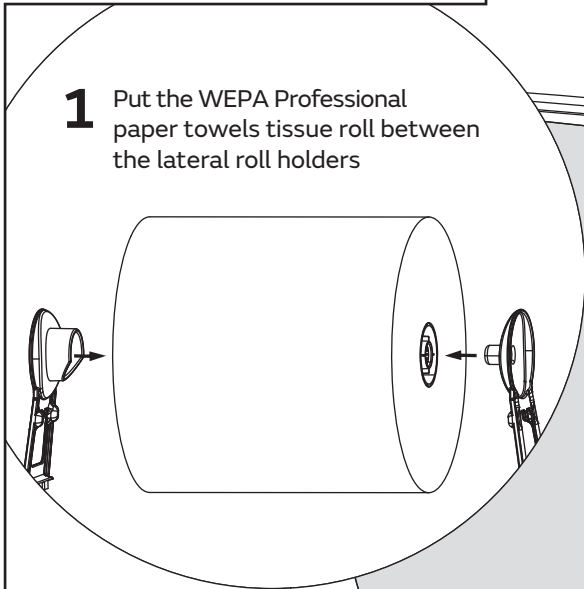
### Key-Lock

Press down the key to open the dispenser.



Remove the key and fold the front cover against the back plate. Dispenser is locked. Keep safe.

- 1** Put the WEPA Professional paper towels tissue roll between the lateral roll holders



**2**

Put the Satino by WEPA Hand Towel Roll SYS1 over the cylinder and hook it into the lateral roll holders.

**3**

Thread paper behind the web guide.

**4**

Then lead the paper from the front on the cutting roller.

**5**

Turn the lateral knob clockwise until the paper is coming out from the bottom of the dispenser.

**!** No paper towel to see? – Turn lateral knob clockwise!

**6**

Close the front door and pull the paper down

**!** Just pull down with both hands!

